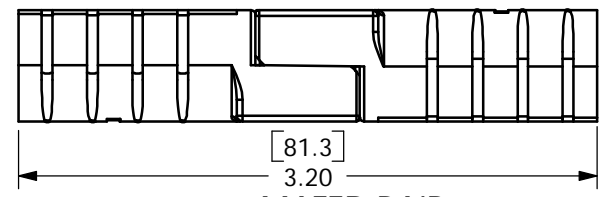
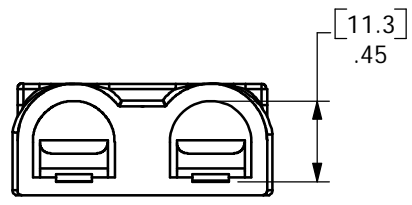
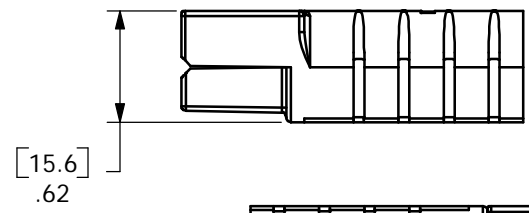
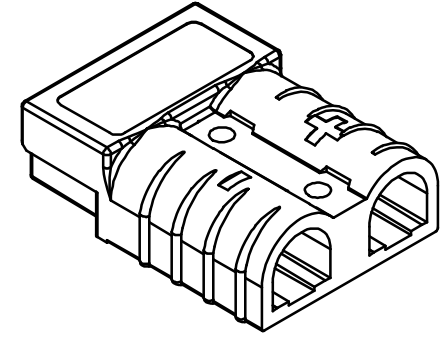
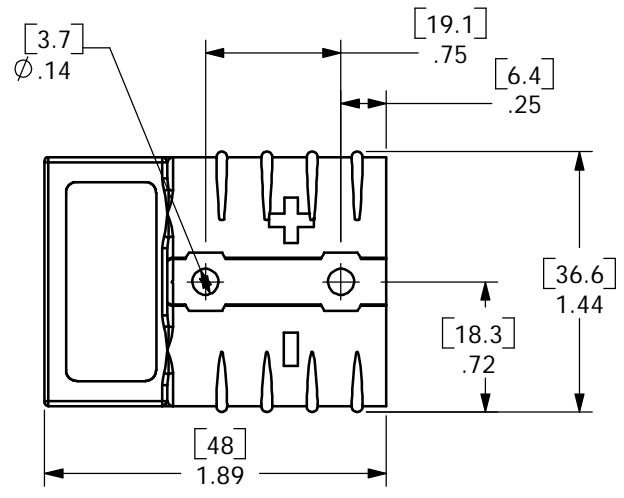


THE INFORMATION CONTAINED IN THIS DRAWING IS THE SOLE PROPERTY OF ANDERSON POWER PRODUCTS. ANY REPRODUCTION IN PART OR WHOLE WITHOUT THE WRITTEN PERMISSION OF ANDERSON POWER PRODUCTS IS PROHIBITED.

REV.	DESCRIPTION OF CHANGES	DATE
		BY:
1	ECRN 13489- ADD CAT NO. TABLE	6/5/02
2	ECRN 13927- NOTE #2	CMS 11/15/05



MATED PAIR

①

CAT. NO.	COLOR
992	GRAY
992G1	RED
992G2	BLACK
992G4	BLUE
992G5	YELLOW
992G6	GREEN
992G7	ORANGE

NOTES:

- SPRING/HOUSING ASSEMBLIES ARE UL RECOGNIZED PER FILE E26226, CSA CERTIFIED PER LR25154
- HOUSINGS ARE KEYED TO ONLY ALLOW MATING WITH THE SAME COLOR HOUSING, EXCEPT FOR THE BLACK HOUSING, WHICH MATES WITH THE GRAY HOUSING AND OTHER CUSTOMER SPECIFIC SB50'S.
- FOR ASSEMBLY INSTRUCTIONS SEE DOCUMENT 1S1030A
- HOUSING ASSEMBLIES ACCOMODATE ANDERSON CONTACTS FOR WIRE RANGE FROM #16 AWG TO #6 AWG.
- MATERIAL:
HOUSINGS-POLYCARBONATE, UL94V0
SPRING- STAINLESS STEEL

ITEM NO.	PART OR IDENTIFYING NO.	NOMENCLATURE OR DESCRIPTION	MATERIAL SPECIFICATION	QTY REQD
COPYRIGHT 1999 ANDERSON POWER PRODUCTS. ALL RIGHTS RESERVED. UNAUTHORIZED REPRODUCTION HEREBY PROHIBITED.				
DIMENSIONS ARE IN INCHES DIMENSIONS IN PARENTHESES [] ARE IN MILLIMETERS		CAD GENERATED DRAWING. DO NOT MANUALLY UPDATE	ANDERSON POWER PRODUCTS	
TOLERANCES ARE: 2PL- ±.02 [±.5]		APPROVALS	SB50 HOUSING AND SPRING ASSEMBLY OUTLINE DRAWING	
MATERIALS: SEE NOTES		DRAWN	SPECIFICATION: 111923S1	
FINISH *****		CHECKED	REV 2	
DO NOT SCALE DRAWING		RESP ENG	SCALE -	
		MFG ENG	FILE: K:/ENGDSN/CADFILES/01000	
		QUAL ENG	SHEET 1 OF 1	