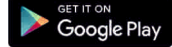


# RACESENSE

## TYRE GAUGE



**Precision pressure and temperature measuring with automatic logging and smartphone connectivity.**

Tyre pressures are critical to performance but common gauges can be out by 1 to 2 psi or more. RaceSense is a high-quality rugged gauge that's as accurate as those used in the highest echelons of motorsport. As well as precision measurement it has some unique functions and does a lot more than any other product.



- Accuracy better than +/-0.1 psi\*
- Tyre pyrometer for temperatures
- Rugged metal case and water resistant
- Normal Gauge & fast Multi-Tyre modes
- Sync to iPhone, Android or computer
- Automatic 2 or 4 wheel modes

## Pressure

- Hose with 360° swivel chuck and bleed valve
- Pressure range: 0 -100 psi / 6.9 bar
- Pressure units: psi, bar, kPa, kg/cm2
- Pressure accuracy: +/- 0.1 psi at better than +/- 0.01 bar or 0.1 psi over normal ambient temperatures and up to 60psi (over 60 psi accuracy typically better than 0.2 psi)

## Temperature

- Type K thermocouple probe socket
- Probe range: 0 -150°C
- Temperature units: °C / °F
- Temperature accuracy: 1 C°/F
- Measure temps at inner, middle and outer for each tyre and the track

## Special features

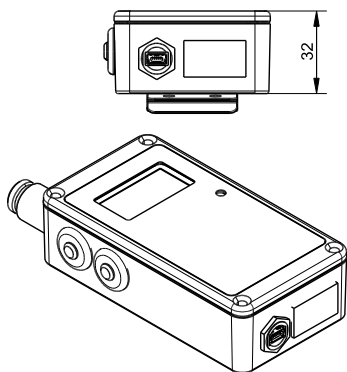
- Gauge mode for single tyre sampling/adjust
- Multi-tyre mode (set starting tyre and direction)
- Offset mode for secret readings
- Android and iPhone apps
- App senses location, weather, wind conditions
- Add car number and notes
- Ambient temperature and pressure
- Mark as Hot/Cold run, Tyre set no, tyre or liner

## Electrical

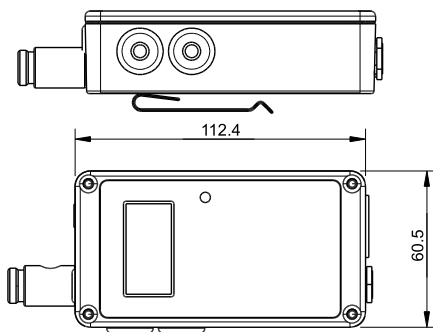
- Autobright OLED display
- Display resolution: normal / high
- Rechargeable by USB
- Export and software upgrade by USB
- Charging time: 2 hours
- Battery lasts > 3 months standby or 24 hours continuous use
- Large memory: stores up to 64 logs

## Mechanical

- Rugged metal diecast case
- Brass swivel chuck and fittings
- Stainless steel belt clip and fixings
- Rubber buttons, polycarbonate panel
- Water resistant
- 12 month guarantee
- Carry case with foam inserts included



- Dimensions: 112.4 x 60.5 x 32 mm
- Weight: 300g
- Case dimensions: 270 x 230 x 80 mm
- Weight inc. case: 800g
- Contents: Protective case, RaceSense gauge, USB cable, User guide
- Type K thermocouple probe optional



## Apps

- Free from app store and google play
- iPhone 7 and above,
- Android 5.5+ with NFC
- Senses location, weather, wind speed and dir

- Ambient temperature and pressure
- Add car number and notes
- Export to csv

DELETE ROW EXPORT								
Date	Location	RFMaxP	RFEndP	RRMaxP	RREndP	LRMaxP	LREndP	LFMaxP
01-12-2019	Brands Hatch	31.8	30.1	33.4	31.2	32.8	31.7	34.5
05-12-2019	Brands Hatch	31.8	30.1	33.4	31.2	32.8	31.7	34.5
01-12-2019	Brands Hatch	55.6	30.1	36.7	34.1	35.3	33.8	35.7
03-12-2019	Silverstone	39.1	31.3	36.2	33.4	41.5	31.2	40.6
08-11-2019	Knockhill	39.1	31.3	36.2	33.4	41.5	31.2	40.6
10-11-2019	Silverstone	44.3	29.5	36.3	30.5	35.8	32.5	34.5
05-12-2019	Cadwell Park	45.1	31.3	46.2	32.5	45.5	31.3	44.5
11-11-2019	Cadwell Park	45.1	31.3	46.2	32.5	45.5	31.3	44.5

