

PREMIUM QUALITY



**SPORTS POWER**

**ABSORBED GLASS MAT  
BATTERIES**



**Ideal for ATVs,  
Motorcycles,  
Personal Watercraft  
& Snowmobiles**

The **Deka Sports Power®**  
**AGM Battery** was designed

for more than performance,  
it was designed for the enthusiast.

Completely spillproof and season-  
to-season reliability means frequent  
replacement and high maintenance are

over! The absorbed glass mat (AGM) technology  
increases power while improving rider and environmental safety.

The key to this technology is the highly porous microfiber separators which  
completely absorb and trap the electrolyte. Molded top and side connection  
terminals provide versatility, increased strength and durability.

The **Deka Sports Power® AGM Battery** provides the most  
advanced power and value in the industry, so your customers can enjoy  
their leisure time, worry free.



**WORRY FREE...**

- No vent tube
- No acid leaks to cause terminal corrosion
- Withstands damaging effects of vibration
- Environmentally friendly, spillproof design

**MAINTENANCE FREE...**

- No filling with acid
- No adding water
- Factory activated
- Low discharge rates for off season storage



QUALITY SYSTEM  
CERTIFIED  
**ISO 9001**  
**ISO/TS 16949**  
ENVIRONMENTAL  
SYSTEM CERTIFIED  
**ISO 14001**

**FACTORY CHARGED.  
INSTALL IT AND RIDE.**

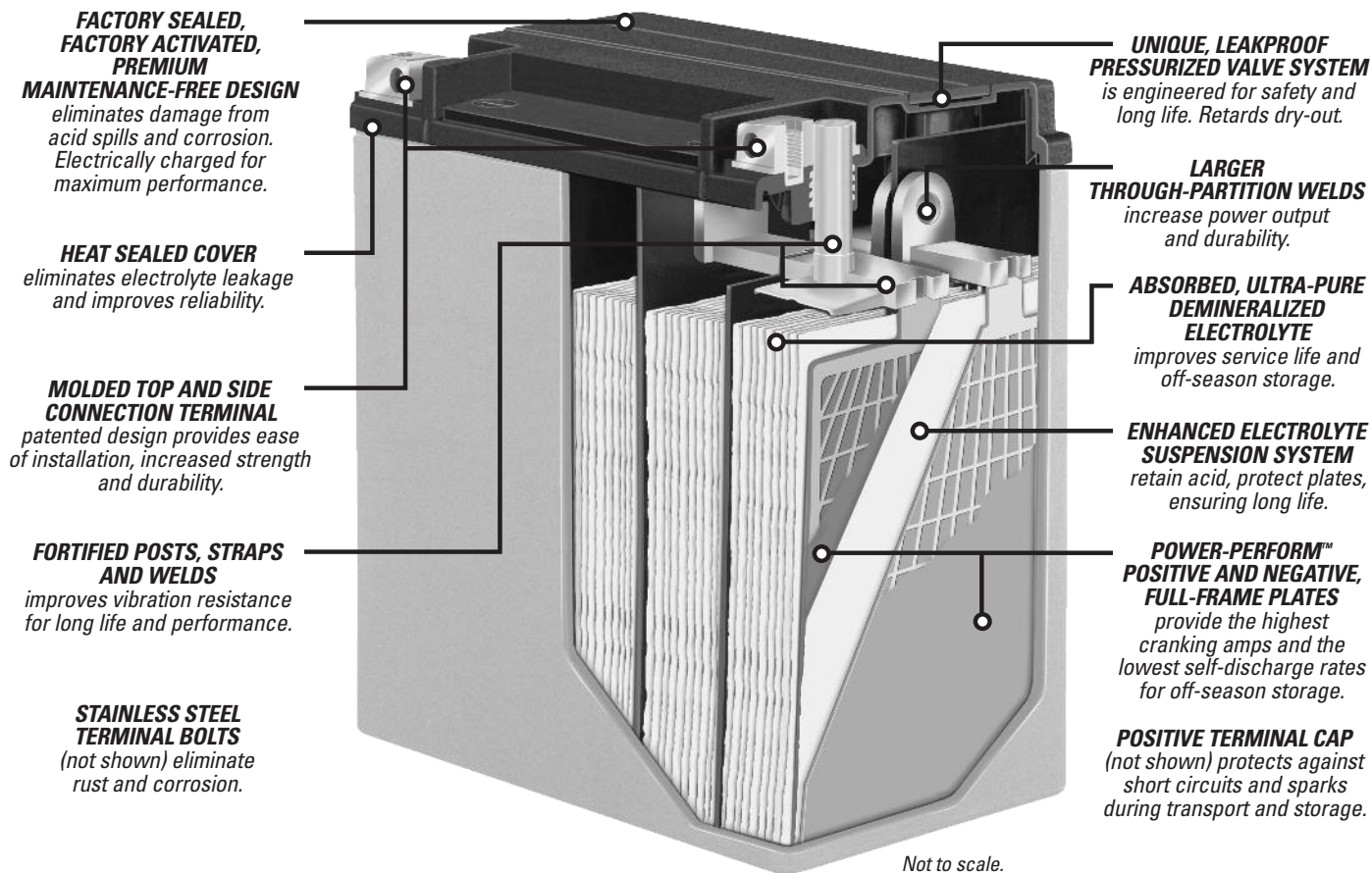




Premium quality, specially designed Absorbed Glass Mat batteries are manufactured under strict quality controls to assure superior performance and long life. The AGM design allows easy installation without the worry of acid spills and damage to equipment.

# SPORTS POWER<sup>®</sup>

## ABSORBED GLASS MAT TECHNOLOGY



PART NO.	FOOT-NOTES	CCA @ 0°F	10 AH Rating	APPROX. WT.		LENGTH		WIDTH		HEIGHT		Replaces these part numbers:
				lbs.	kg	in.	mm	in.	mm	in.	mm	
ETX9	38,39	120	8	7.1	3.2	5 $\frac{1}{8}$	150	3 $\frac{1}{16}$	88	4 $\frac{1}{16}$	106	YTX9-BS
ETX12	38,39	180	10	9.4	4.3	5 $\frac{1}{8}$	150	3 $\frac{1}{16}$	88	5 $\frac{1}{8}$	130	YTX12-BS, YB12B-B2
ETX14	38,39,42,75	220	12	12.0	5.4	5 $\frac{1}{8}$	150	3 $\frac{1}{16}$	88	5 $\frac{1}{8}$	145	YTX14-BS, YTX16-BS, YTX16-BS-1, YB16B-A, YB16B-A1
ETX14L	38,39	220	12	12.0	5.4	5 $\frac{1}{8}$	150	3 $\frac{1}{16}$	88	5 $\frac{1}{8}$	145	YTX14L-BS
ETX15	38,39,42,76	220	14	11.0	5.0	5 $\frac{1}{8}$	134	3 $\frac{1}{2}$	90	6 $\frac{1}{16}$	166	YB14-A2, YB14-B2, YB14A-A1, YB14A-A2
ETX15L	38,39	220	14	11.0	5.0	5 $\frac{1}{8}$	134	3 $\frac{1}{2}$	90	6 $\frac{1}{16}$	166	YB14L-A1, YB14L-A2, YB14L-B2, 12N14-3A, SYB14L-A2, SYB14L-B2
ETX16	38,39,42,74	325	19	17.0	7.7	6 $\frac{1}{8}$	175	4	100	6 $\frac{1}{8}$	155	YB16-B-CX, YB16-B, Y60-N24-A (56), YB16C-B
ETX16L	38,39,42,74	325	19	17.0	7.7	6 $\frac{1}{8}$	175	4	100	6 $\frac{1}{8}$	155	YB16HL-A-CX, YB16L-B, 12N16-3B, Y60-N24AL-B, YB16CL-B, 12N24-3, 12N24-3A
ETX18L	38,39	340	20	18.0	8.2	8 $\frac{1}{8}$	206	3 $\frac{1}{16}$	91	6 $\frac{1}{8}$	163	Y50-N18L-A-CX, Y50-N18L-A-LM, Y50-N18L-A, Y50-N18L-A3, SY50-N18L-AT
ETX20L	38,39	310	17.5	15.5	7.0	6 $\frac{1}{8}$	177	3 $\frac{1}{16}$	88	6 $\frac{1}{8}$	155	YTX20L-BS, YB18L-A
ETX30L	38,39	400	26	21.7	9.8	6 $\frac{1}{8}$	168	5 $\frac{1}{16}$	131	6 $\frac{1}{8}$	176	YIX30L, YB30LB
ETX30LA	38,39,78	400	26	21.7	9.8	6 $\frac{1}{8}$	168	5 $\frac{1}{16}$	131	7 $\frac{1}{8}$	197	YB30CL-B

All batteries have a black cover and gray case.

FOOTNOTES: 38 – “Non-spillable” defined by DOT (Department of Transportation) definitions

39 – “Non-spillable” defined by ICAO (Int’l Comm. Airline Org.)

and IATA (Int’l Airline Transport Assoc.) definitions

42 – Height without adapter

74 – Shipped with 20mm adapter

75 – Shipped with two (2) 17mm adapters

76 – Shipped with 10mm adapter

78 – Shipped with 22mm height adapter

## EAST PENN manufacturing co., inc.

Lyon Station, PA 19536-0147 • Phone: 610-682-6361 • Fax: 610-682-4781

Order Department Hotline: 610-682-4231

www.dekabatteries.com

DISTRIBUTED BY: