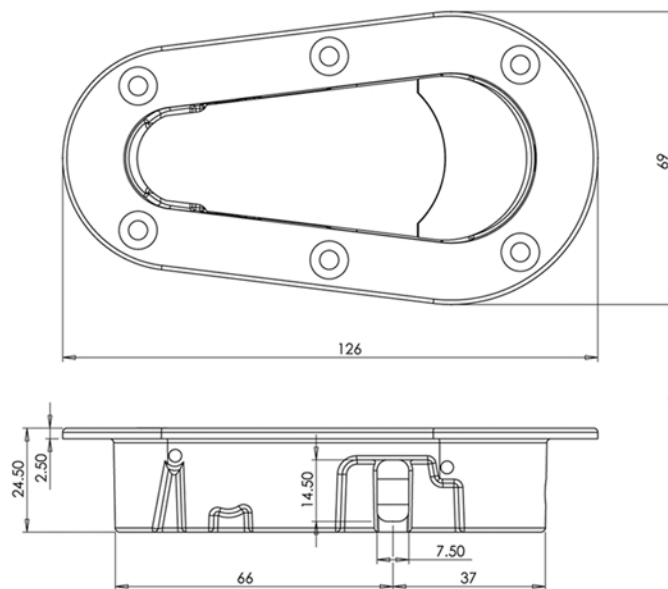


Plus Flush

Designed to be fixed through the top surface of a panel with six M4 countersunk screws.
The fitting flange will be 2.5mm above the panel surface.
Ideal for thin metallic or composite panels.

AeroCatch 120 Series Plus Flush Dimensions
Part No. 120-1000



Note: Not to Scale

